



CONTROLLED

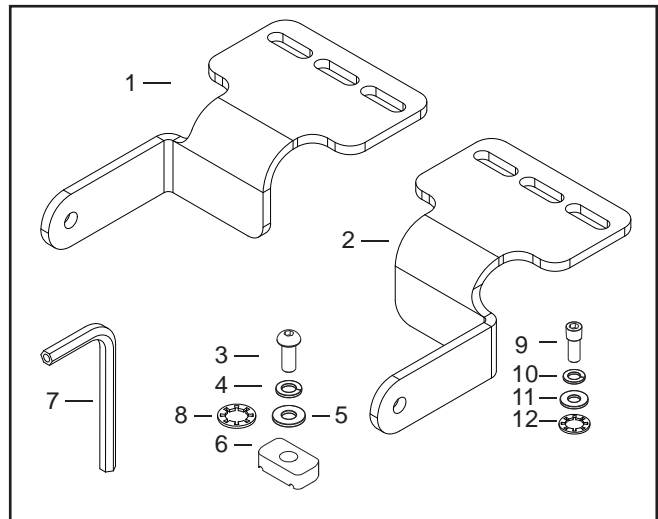
RHINO-RACK

43173 - Pioneer Platform/ Tradie LED Light Bracket
Does not fit Pioneer Welded Tray.

Place these instructions in the vehicle's glove box after installation is complete.

Important: Please read these instructions carefully prior to installation.
 Please refer to your fitting instruction to ensure that the alloy tray is installed correctly.
 Check the contents of this kit before commencing fitment and report any discrepancies.

Item	Component Name (Dual Bracket Kit)	Qty	Part No.
1	RH LED Light Bracket	1	CA1436
2	LH LED Light Bracket	1	CA1435
3	M8 x 20 Button Cap Screw	4	B155
4	M8 Spring Washer	4	W019
5	M8 x 17 Flat Washer	4	W020
6	M8 Channel Nut	2	N003
7	Security Allen Key 5mm	1	H021
8	M8 Tooth Grip Washer	2	W033
9	M6 x 20 Socket Head Screw	2	B054
10	M6 Spring Washer	2	W004
11	M6 x 16 x 1.6 Flat Washer	2	W031
12	M6 Shake Proof Washer	2	W056
13	Fitting Instructions	1	R718



1 Measure the length of your Light Bar to determine what tray planks will be used in the install of the brackets. **Refer to pg 2 for all possible fit sizes.**

(x)

Front View:

2 Attach the Brackets onto the Platform by first sliding an M8 Channel nut into the 'C' channel of the Platform. Place the bracket over this and fix in place with an M8 Button Head Screw, M8 Spring and Flat Washer.

3 Determine whether your Light Bar requires M6 or M8 hardware.
 For an M8 setup use items : 3,4,5 and 8 as shown.
 For an M6 setup use items: 9,10,11 and 12 as shown.

4 Fix the Light Bar to the Brackets using the hardware supplied within the Light Bar Kit purchased. **Note:** Light Brackets can be fitted to every side of the Pioneer Platform or Tradie Tray. On the Pioneer Tray light brackets can only fit the rear and sides.

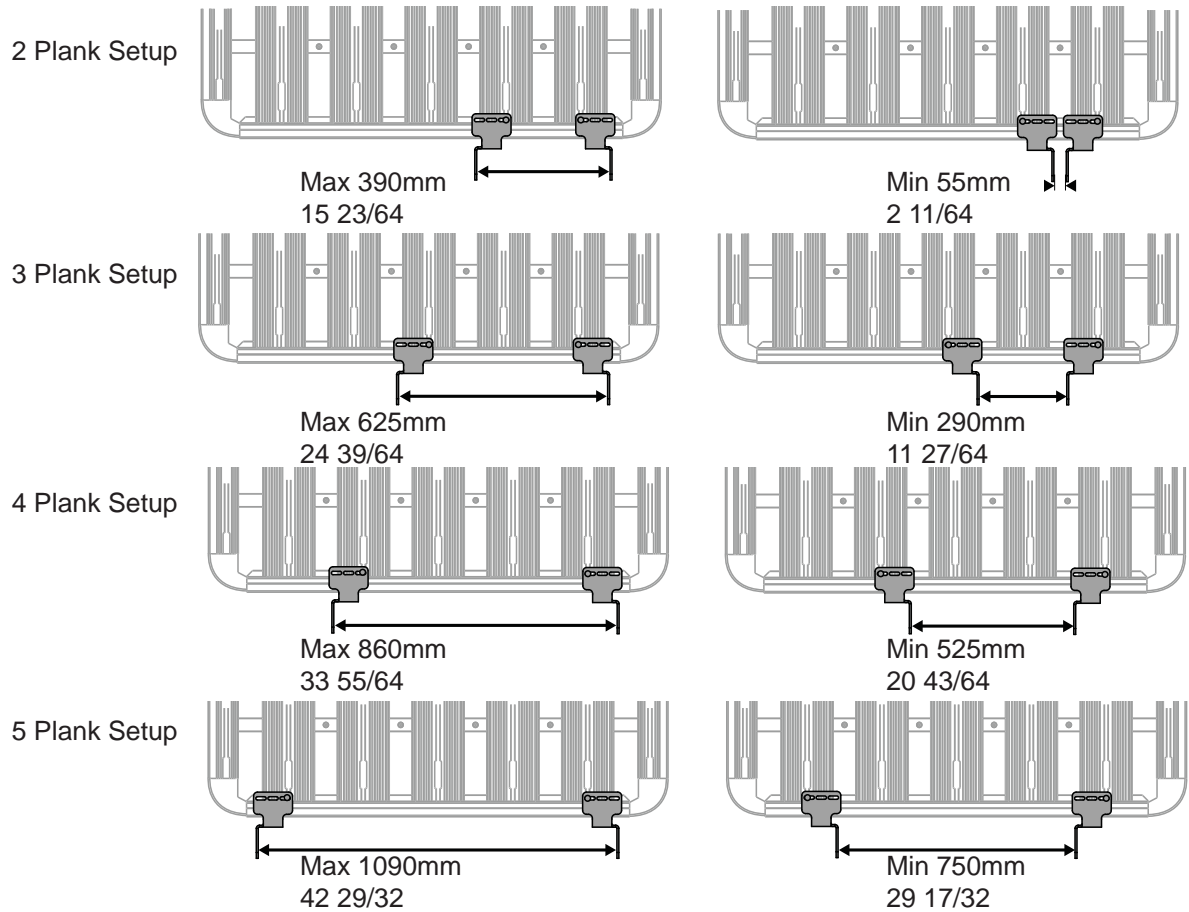
Top View:



43173 - Pioneer Platform/ Tradie LED Light Bracket
Does not fit Pioneer Welded Tray.

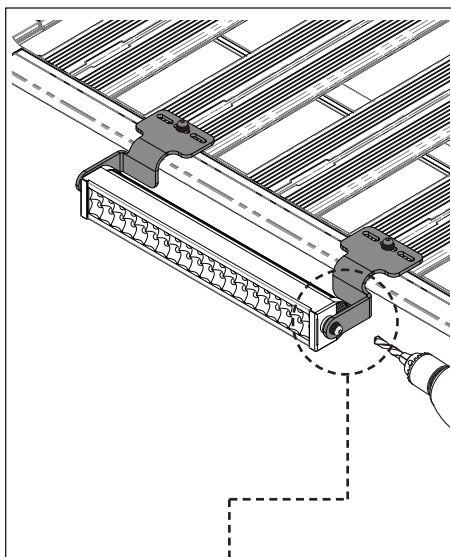
Note:

Be aware of the maximum and minimum spacing possible for the LED Light Bracket. Note that to achieve a minimum spacing Left and Right Bracket positions are reversed.

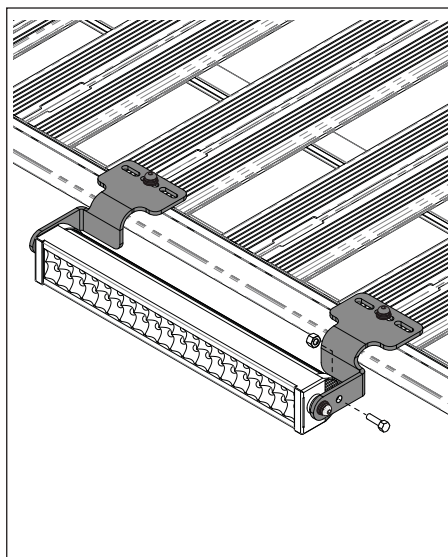


Note:

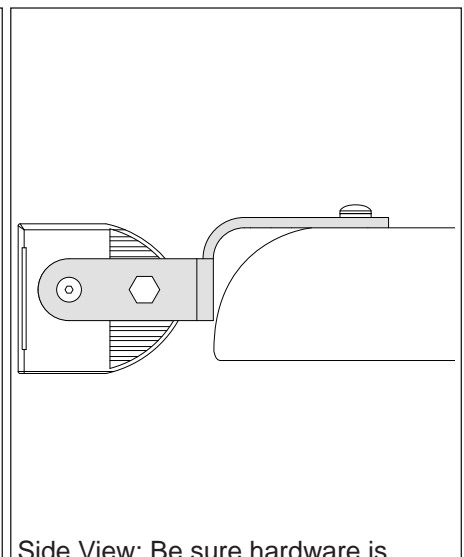
For heavy/ long LED light bars: It is possible that the LED light installed may move up or down in off-road conditions. To prevent this, locate a suitable spot on your LED light bar that can serve as a locking position, drill through the bracket and connect the two points with suitable hardware. Note that variations in LED light bars will alter this step slightly. (Hardware not supplied in this kit)



Locate a suitable position for drilling. Look to have the hole in the bracket line up with a position on the light bar that will provide purchase for any hardware used.



Select the appropriate hardware and fix the light bar in position.



Side View: Be sure hardware is secure before use. Note that the Pioneer Tradie LED Light Bracket is stainless steel, there will be no corrosion damaged caused by drilling.

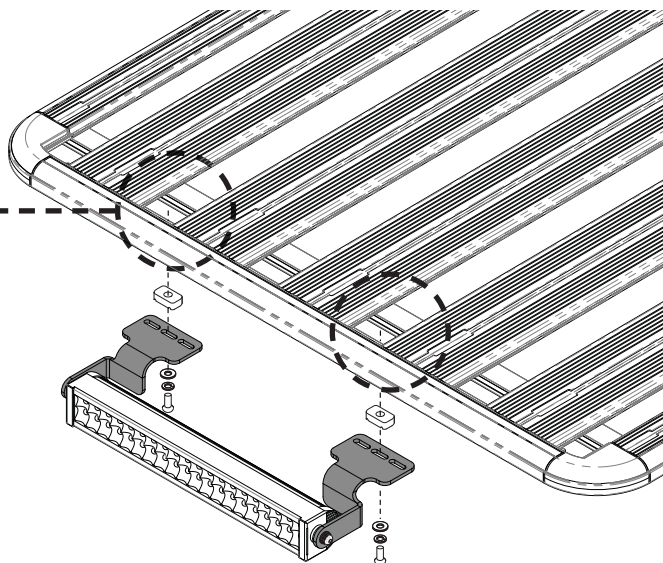
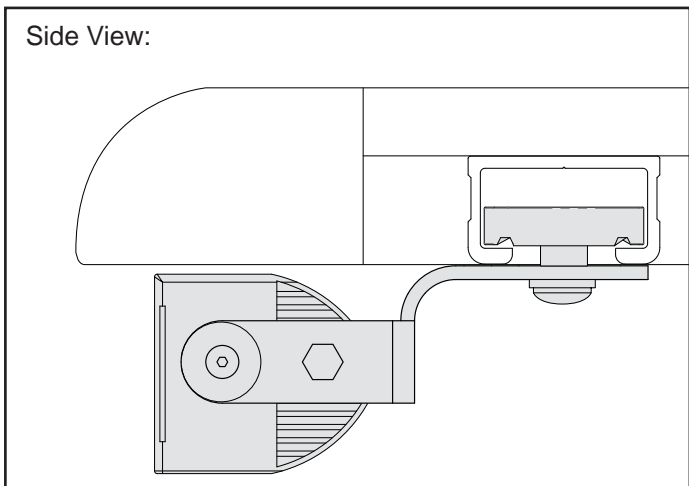


43173 - Pioneer Platform/ Tradie LED Light Bracket
Does not fit Pioneer Welded Tray.

Note:

The 43173 LED Brackets can be fitted to the underside of a Pioneer Tray as shown. Fix the Bracket to the front or rear Crossbar of the Tray.

Side View:



Rhino-Rack
3 Pike Street, Rydalmere,
NSW 2116, Australia.
(Ph) (02) 9638 4744
(Fax) (02) 9638 4822

Document No: R718
Prepared By: Kayle Everett
Authorised By: Chris Murty

Fit Time: 10min
Issue No: 06
Issue Date: 17/05/2017

These instructions remain the property of Rhinorack Australia Pty Ltd and may not be used or changed for any other purpose than intended.